



AIRTECH

AIRTECH INSTRUMENTS CO LTD.

SERIES SW-CJ CLEAN BENCH

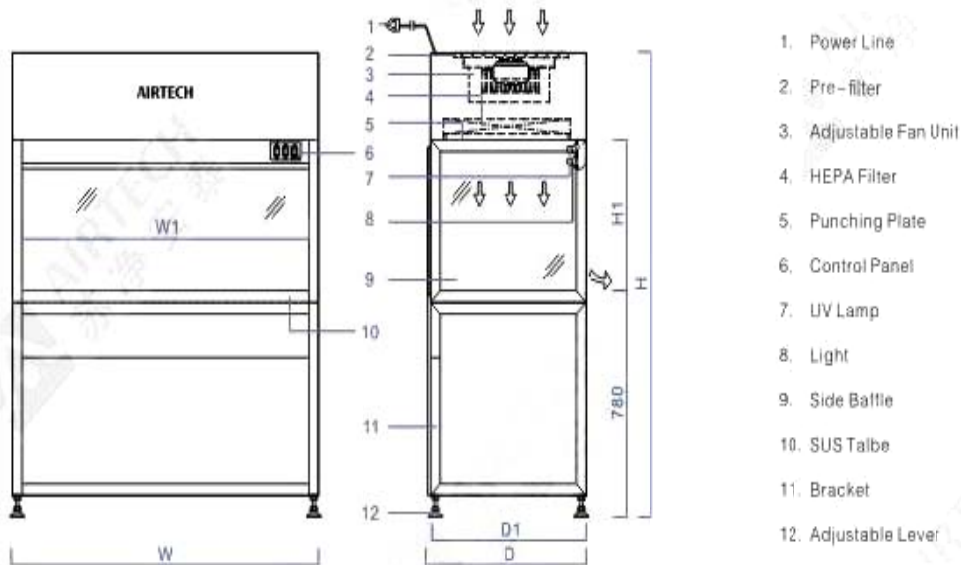


PRODUCT FEATURE

Series SW-CJ Clean Bench with horizontal laminar flow is kind of all-purpose clean equipment that supply local high cleanliness work environment. It can be widely used in electron, biology, etc. It has good effect in improving process condition and enhancing product quality and finished products rate.

PRODUCT DESCRIPTION
Characteristics

- ◇ Air volume adjustable system with high efficiency and low consumption
- ◇ Integrative stainless steel worktable easy to clean
- ◇ Portable bracket easy to install and uninstall at spots
- ◇ Mutual exclusive light and sterilizing system



1. Power Line
2. Pre-filter
3. Adjustable Fan Unit
4. HEPA Filter
5. Punching Plate
6. Control Panel
7. UV Lamp
8. Light
9. Side Baffle
10. SUS Table
11. Bracket
12. Adjustable Level

Item	Model	SW-CJ-1FDA	SW-CJ-2FDA
Cleanliness		ISO 5 (ISO Class 5) , 100 (.209E)	Class 100 (Fed 209E)
Air Velocity		≥0.3m/s (Adjustable)	
Noise		≤62dB (A)	
Illumination		≥300 Lx	
Power Supply		AC (Single Phase) 220V/50Hz	
Input Power		250VA	500VA
Weight		90kg	110kg
Working Dim	W1 × D1 × H1	800 × 650 × 520	1200 × 650 × 520
Overall Dim.	W × D × H	880 × 660 × 1600	1280 × 660 × 1600
Size & No. of HEPA		760 × 570 × 50 × ①	1170 × 570 × 50 × ①
Size & No. of Light or UV Lamp		14w × ① / 8w × ①	14w × ① / 8w × ①
No. of Colony		≤0.5↑ (Φ90) · Dish (Φ90) · H	
No. of Operator		Single/S	Double/S